

PARTS DEPARTMENT BULLETIN

DATE: 14-Jan-13

BULLETIN NUMBER: 2014-1 page 1 of 3

SUBJECT: Supersede Sea Water Pump 42026 to 55624 and Repair Kit 46623 to 55718

MODEL(S) AFFECTED: 5.0/4.2 SBCG, 6.5/5.4 SBCG, 5.0/4.2 MCG, 6.5/5.2 MCG, 5.0/4.2 BCG/A, 7.0/5.8 BCGC/D, 7.2/4.5 BCGTE, 7.0/5.0 BCGA/B, 4.5/3.5 BCGB, 4.5/3.75 BCGTC, 7.2/6.0 BCGTC, 9.6/8.0 BCGTC, 8.0/6.4 BEG & SBEG, 10.0/8.0 BEG & SBEG, 12.5/10.0 BEG & SBEG, 15.0/12.0 BEG, 14.0/11.6 SBEG, 55B/C/D Four, Kit PN 47206

DETAIL: The sea water pump used on the products referenced above has been improved and incorporates a different shaft seal.

The part number for the new sea water pump with the new seal is 055624.

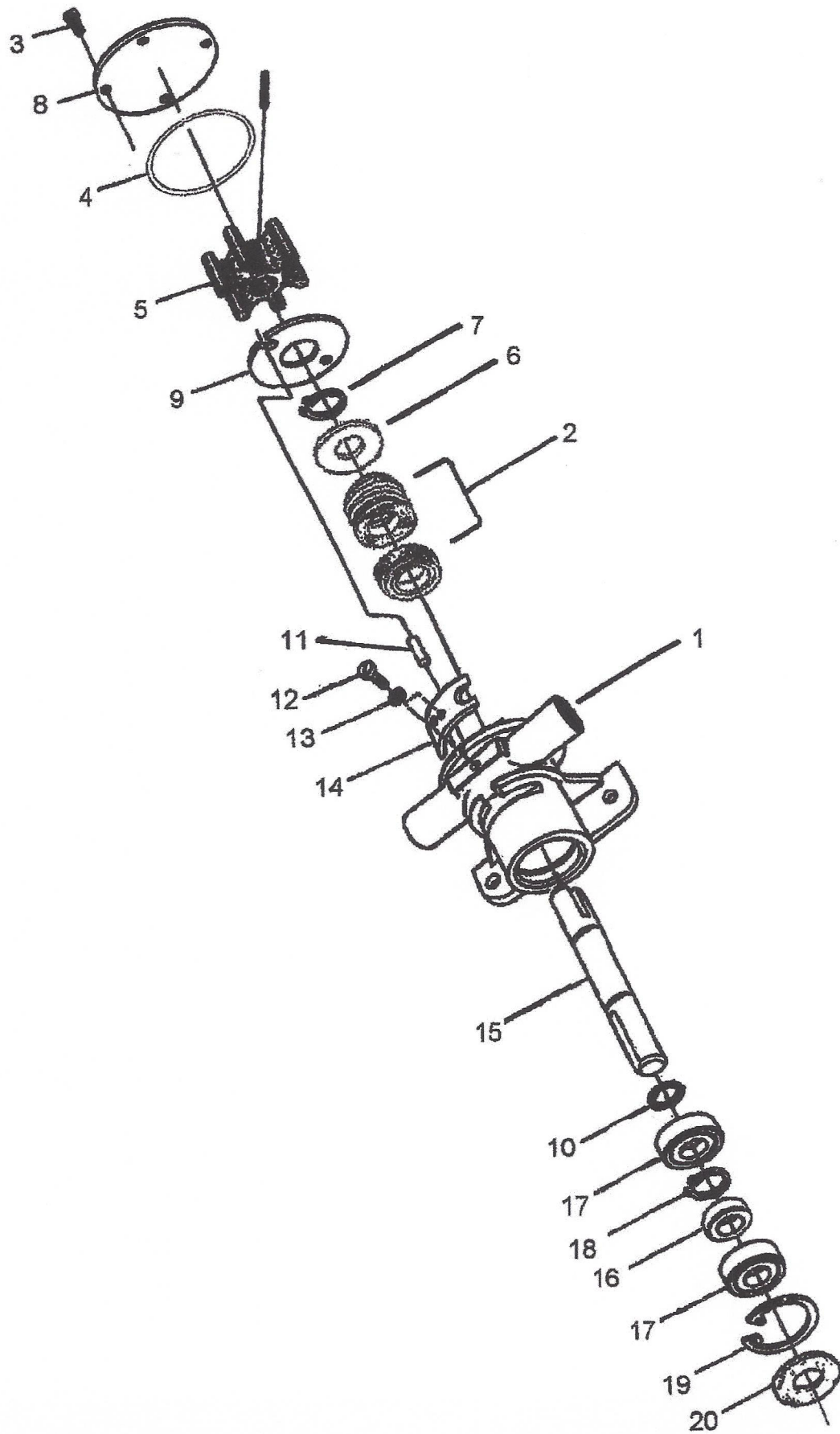
The impeller kit (P/N 046622) remains unchanged and is the same for the new and the original pump.

The part number for the repair kit that utilizes the new seal is 055718. This kit can be used on the new and the original pump.

In summary, the pumps and repair kits are interchangeable and the impeller does not change.

We recommend you replenish your inventory with the new pump and repair kit.

WESTERBEKE - SEA WATER PUMP



WESTERBEKE LOW PROFILE GENERATOR - SEA WATER PUMP

REF	PN	NAME / REMARKS	QUAN
1	055624	PUMP,SEA WATER (Comp, body not avail)	1
2	048254	SEAL,SPRING PUMP (Two part seal.)	1
3	034463	SCREW,IMPELLER COVER	4
4	046624	O-RING,PUMP COVER	1
5	046622	IMPELLER KIT (Inc. item 3,4,5)	1
6	048253	WASHER,SPRING SEAL	1
7	048255	RING,RETAINING EXT (Bronze)	1
8	046625	COVER,IMPELLER	1
9	046661	PLATE,WEAR PUMP	1
10	033041	O-RING,PUMP	1
11	302575	DOWEL	1
12	046662	SCREW,CAM	1
13	033037	WASHER,CAM	1
14	033031	CAM,PUMP	1
15	046629	SHAFT,WATER	1
16	046630	SPACER,BEARING	1
17	033042	BEARING,PUMP	2
18	033045	RING,RETAINING EXT (Steel)	1
19	033044	RING,RETAINING INT (Steel)	1
20	033033	COVER,BEARING OUTER	1
21	055718	KIT,REPAIR (Inc. items 2,6,8,9,10,11,12,13,14,15,16,17,18,19,20)	1